

SA LUFT STROMER



STRONG

EFFICIENT

DURABLE

VALUE FOR MONEY

Wide range of Industrial fans by

S.A.ENGINEERING CORPORATION



About Us

S.A Engineering Corporation, established in 2018, is now the leading and the most trusted manufacturer of HVLS (High Volume Low Speed) fans in India with a range of products suitable for various applications. Marketed under the brand name “**LUFT STROMER**”, our products are well known for being highly reliable, robust, and extremely efficient offering exceptional value for money for its users. A state of the art manufacturing unit ensures stringent quality at all stages of production. Our team of experts who are passionate towards Customer Obsession, Ownership and Innovation understand every need of our customers to cater the various demands with the promise of on-time delivery and unmatched round-the-clock support.

S.A Engineering Corporation has been a pioneer in developing and incorporating latest technology to the commercial and industrial ventilation products. Our portfolio include HVLS Fans, HVLS Ceiling Fans, HVLS Fans for Truss less Roofs, Helicopter Fans, Industrial Ceiling Fans, Industrial Direct Drive Metal Exhaust Fans, Air Cooler Units and other Customized solutions. Precision Design and made to perfection with advanced German technology, our products not only offer comfort; at the same time can be used non-stop for hours with guaranteed savings in power consumption to the end-users.

Our ever expanding sales network in India and abroad has a large global footprint in retail trade, institutional sales and government public sector units. We remain committed to the aim of being an international player by developing class leading products with cutting edge technology that are environmental friendly to meet the demanding requirement of the markets worldwide.

LUFT STROMER HVLS FANS

An HVLS fan is a type of mechanical fan greater than 7 feet (2.1 m) in diameter. HVLS fans are generally ceiling fans which distribute large amounts of air at low rotational speed— hence the name "High Volume, Low Speed." These fans can prevent heat stress, increase worker comfort and the productivity of both workers and livestock. HVLS fans are very well-known for uniformly distributing air to large areas and can replace multiple wall-mounted or small ceiling fans.

When the down column of air from an HVLS fan reaches the floor, the air turns in the horizontal direction away from the column in all directions. The air flowing outward is called the "Horizontal Floor Jet." Since the height of the floor jet is determined by the diameter of the column of air, a larger diameter fan naturally produces a larger air column and thus a higher floor jet.

Hot air is less dense than cold air, which causes hot air to naturally rise to the ceiling level through a process called convection. In still air, layers of constant temperature form, the coldest at the bottom and the warmest at the top. This is called stratification. The most efficient and effective way of mixing the air in a stratified space is to push the hot air down to the occupant level. This allows for complete mixing of the air in the space while decreasing both heat loss through the building walls and roof, and building energy consumption. To avoid causing a draft, fans need to be run slowly so that air speed at the occupant level does not exceed 40 feet per minute (12 m/min).

LUFT STROMER HVLS fans have been carefully developed through years of research and product testing which has earned our products LEED credits for sustainable design.

BENEFITS OF LUFT STROMER HVLS FANS

- **Balance and Distributes Temperature evenly** : HVLS Fan runs slowly to de-stratify the air by mixing different heat layers together and balancing the temperature
- **Improve Staff Productivity** : Uniform distribution of air and temperature ensures maximum comfort to the occupants that helps boost productivity
- **Maximum Effective Coverage Area** : Corner to Corner distribution of air up to 15,000 sq.ft
- **Complete Absence of Draft** : Slow speed of the fans avoid draft
- **High Efficiency** : Very large, low-speed commercial fans are more efficient and effective than small high-speed fans which helps in reduction of cost up to 80% as single fan replaces multiple fans
- **Early Break Even** : The Capital Expenditure required for installation is covered in 6 months
- **Low Maintenance Cost** : Heavy Duty Electric Motor and use of High Grade Materials guarantee almost zero to extremely negligible support
- **Flexibility in Operation** : Digital Touch Screen Control Panel, Variable Speed Controller to set and control air flow. Option for reverse operations

LUFT STROMER HVLS fans can be broadly classified into GEARED and truly GEARLESS fans. Our geared HVLS fans are specifically designed for non-stop continuous operation under harsh conditions.

LUFT STROMER GEARED FANS - TECHNICAL SPECIFICATIONS

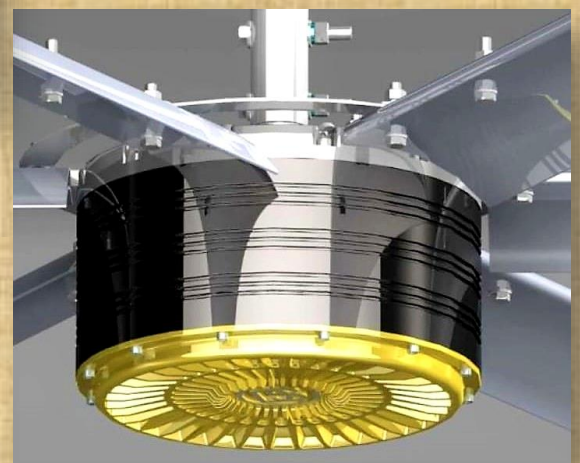
	Model Number	SAHVLS2E	SAHVLS3E	SAHVLS4E	SAHVLS5E	SAHVLS6E	SAHVLS7E
1	Fan Diameter (ft)	8	10	12	16	20	24
2	Type of Fan	GEARED HVLS FAN					
3	Colour	SILVER					
4	Protection Rating	IP 55					
5	Blade Finish	SILVER					
6	Blade Material	HIGH GRADE 6061 T6 ALUMINIUM MANGANESE ALLOY					
7	Number of Blades	5					
8	Impeller Grade	DIN 17100 GR.ST 52.3					
9	Motor Type	GERMAN GEARED MOTOR WITH HEAVY DUTY CAST IRON GEAR BOX HOUSING WITH ROLLER BEARING					
10	Motor Make	SEW EURODRIVE GERMANY					
11	Reversible Motor	YES					
12	Power (W)	550 WATTS	750 WATTS	1100 WATTS	1100 WATTS	1500 WATTS	1500 WATTS
13	Power Line / Voltage (V)	3 Phase 415-500 V AC					
14	Frequency (Hz)	50 / 60					
15	Drive Type / Torque	CROMPTON / DANFOSS VFD ELECTRONIC CONTROL UNIT (Controller) / TORQUE 280 nm					
16	Speed (RPM)	140	114	91	86	68	56
17	Speed Control Method	ANALOG INPUT – SPEED SETTING THROUGH 0 – 10 V					
18	Air Flow (cfm)	65,000	98,100	1,28,700	2,25,000	3,48,500	4,88,000
19	Coverage Area (sq.ft)	2000	4500	6800	8900	10,500	16,900
20	Chassis / Support Structure	EN100025-90/ST52 / GI WIRE ROPES WITH PVC COATING / HUB-IN-HUB ANTI FALL DESGIN					
21	Weight (kg)	68	80	88	100	115	125
22	Noise Level	< 45 db					



LUFT STROMER HVLS gearless fans use Sophisticated PMSM (Permanent Magnet Synchronous Motor) which has low torque repulsion. PMSM Gearless HVLS fans have better and smooth torque with higher efficiency and extremely low noise compared to the geared fans.

LUFT STROMER TECHNICAL SPECIFICATIONS - PMSM GEARLESS FANS

	Model Number	LS1800	LS2400	LS3500	LS4800	LS6000	LS7300
1	Fan Diameter (ft)	8	10	12	16	20	24
2	Type of Fan	PMSM HVLS FAN					
3	Colour	SILVER					
4	Protection Rating	IP 66					
5	Blade Finish	SILVER					
6	Blade Material	HIGH GRADE 6061 T6 ALUMINIUM MANGANESE ALLOY					
7	Number of Blades	5					
8	Impeller Grade	DIN 17100 GR.ST 52.3					
9	Motor Type	SYNCHRONOUS BRUSHLESS MOTOR WITH PERMANENT MAGNETS & INTEGRATED ELECTRONICS					
10	Motor Make	GERMAN CUSTOMISED EMF MOTOR					
11	Reversible Motor	YES					
12	Power (W)	350 WATTS	400 WATTS	400 WATTS	750 WATTS	1200 WATTS	1200 WATTS
13	Power Line / Voltage (V)	1 / 3 Phase 180-500 V AC					
14	Frequency (Hz)	50 / 60					
15	Drive Type / Torque	CUSTOMISED ELECTRONIC CONTROL UNIT (Controller) / 220 nm					
16	Speed (RPM)	140	114	86	76	68	52
17	Speed Control Method	ANALOG INPUT – SPEED SETTING THROUGH 0 – 10 V					
18	Air Flow (cfm)	65,000	1,38,000	1,81,000	2,56,000	3,92,000	4,88,000
19	Coverage Area (sq.ft)	2000	4500	6800	8900	10,500	16,900
20	Chassis / Support Structure	EN100025-90/ST52 / GI WIRE ROPES WITH PVC COATING / HUB-IN-HUB ANTI FALL DESGIN					
21	Weight (kg)	53	60	65	70	85	100
22	Noise Level	< 35 db					



ADVANTAGES OF LUFT STROMER HVLS FANS

Safety

- **Extremely High Level of Primary Safety for all Components**
 - ✓ *35mm Shaft Diameter for motor*
 - ✓ *M14 Bolts for Structure and Chassis*
 - ✓ *Nylock Nuts and Loctite for all fasteners*
 - ✓ *Steel EN 10025 – 90 for Structure and Chassis*
 - ✓ *4 GI Wire Ropes with additional PVC coating with 8mm thickness*
 - ✓ *Each wire Rope can hold 1.5 tons*
- **Secondary Anti – Fall Safety Systems provided for all Major Components**
 - ✓ *Structure – Secondary Wire Rope to lock to building structure*
 - ✓ *Blades – Embedded Wire Ropes for Blade to handle anti-fall in the event of breakage*
 - ✓ *Hub – Special Z Brackets for anti-fall*
 - ✓ *10 Anti-Fall safety feature*

Performance

- **Aerofoil Blade Design with Blade Angle of 27 degrees for optimum Air Flow Rate and Thrust**
- **Tapered Fan Blades for Uniform Air Distribution**
- **SEW EURO DRIVE German High Efficiency Motor and Gear Box for Low Running Costs**
- **Can be linked to Integrated Building Management System (IBMS) through VFD**

Durability and Reliability

- **High Grade 6061 T6 Aluminum Manganese Alloy used for Aerofoil Blades**
- **IP55 Motor and Gearbox with Synthetic Oil**
- **IP66 Synchronous Brushless Motor for PMSM models**
- **IEC 60034 Motor**
- **Gearbox from SEW who are the world leaders in Transmission Technology**
- **Low Maintenance Synthetic Long Drain Oil with Magnetic Drain Plug IE 3 Motor**
- **VFD by Crompton, Danfoss or Siemens**
- **Hot Dipped Galvanized High Grade Steel up to 12mm thick for best anti-corrosion protection**
- **GI Coated wire ropes with PVC Coating**

Certification

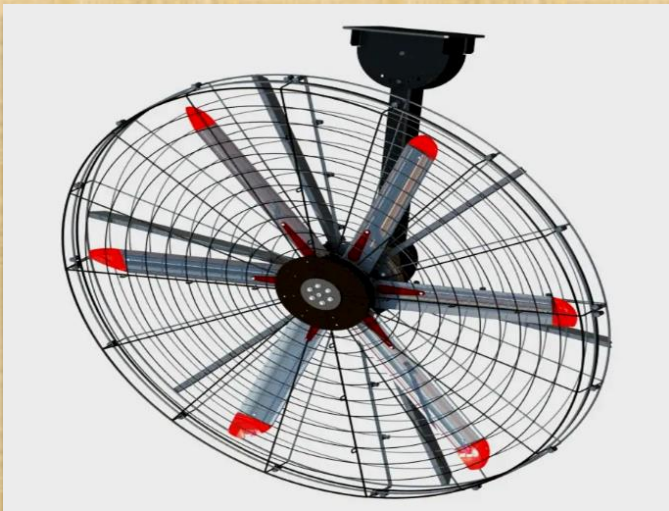
- **LUFT STROMER HVLS Fans are ISO 9001-2015 certified that meets QMS standards**
- **LUFT STROMER HVLS Fans are CE certified meeting International standards**
- **LUFT STROMER HVLS Fans have earned LEED credits for sustainable design**

ADDITIONAL BENEFITS OF LUFT STROMER GEARLESS FANS

- **Truly Gearless :** PMSM HVLS Fans are powered by highly advanced brushless motor which are much less prone to wear and tear. This helps the fan to work better in all conditions
- **Whisper Quiet Operation :** Permanent Magnet Synchronous Brushless Motor displaces air quietly and ensure huge savings in the long run
- **Matchless Performance :** These fans are unique in their unmatched energy efficiency and added safety features. Installations of gearless fans are much easier, convenient and quick.

LUFT STROMER "TORNADO" WALL MOUNTED FANS

Our TORNADO wall mounted HVLS industrial fans are revolutionary in design suitable for spaces with low ceiling and less space. The fans come with high quality aerodynamic blades.



MODEL	TORNADO LS6IWM
Fan Diameter (ft)	6
Type of Fan	PMSM WALL MOUNTED FAN
Manual Fan Adjustment	0 – 60° VERTICAL
Manual Fan Oscillation	180°
Protection Rating	IP 66
Blade Finish	ANODISED SILVER
Blade Material	6061 T6 ALUMINIUM ALLOY
Number of Blades	5
Motor Type	PMSM BRUSHLESS MOTOR
Power (W)	200 WATTS
Power in Line / Voltage (V)	400 V AC
Drive Type	VACON
Speed (RPM)	200
Speed Control Method	ANALOG INPUT 0 – 10 V
Coverage Area (sq.ft)	250
Air Flow (cfm)	32,400
Noise Level	< 55 db
Service Interval	10,000 hours (for 24x7 Usage)

FEW BENEFITS OF WALL MOUNTED FANS

- Helps to Remove Bad Odour
- Huge Power Savings with Efficiency > 95%
- Aerofoil Winglet Blades for high discharge
- Infinite Number of Speed and Positions
- Maintenance Free

LUFT STROMER "TYPHOON" FLOOR FANS

TYPHOON mobile pivot HVLS industrial fans are very unique, specially designed for premises where roof mounting is impossible. These fans provide extensive coverage with an air discharge up to 30 feet. Their distinctive frame with castor wheels provide added versatility to deploy them even for temporary usage in exhibition domes or outdoors.

MODEL	TYPHOON LS6IPFF
Fan Diameter (ft)	6
Type of Fan	PMSM FLOOR FAN
Manual Fan Movement	MOVABLE WITH WHEELS
Manual Fan Swing	15° - 20°
Protection Rating	IP 66
Blade Finish	ANODISED SILVER
Blade Material	6061 T6 ALUMINIUM ALLOY
Number of Blades	6
Motor Type	PMSM BRUSHLESS MOTOR
Power (W)	950 WATTS
Power in Line / Voltage (V)	400 V AC
Drive Type	VACON
Speed (RPM)	250
Speed Control Method	ANALOG INPUT 0 – 10 V
Coverage Area (sq.ft)	250
Air Flow (cfm)	56,000
Noise Level	< 55 db
Service Interval	10,000 hours (for 24x7 Usage)



OUR OTHER PRODUCTS

- Jumbo Air Cooler
- Tent Cooler
- Industrial Evaporative Cooler
- Industrial Cooler System
- Industrial Metal Exhaust Fan
- Direct Drive Metal Exhaust Fan
- Hand Pallet Truck
- Golf Cart
- Regular Wall Mount Fan
- Regular Pedestal Fan



SOME OF OUR VALUED CUSTOMERS



रक्षा मंत्रालय
MINISTRY OF
DEFENCE



and many more...

Address

SA ENGINEERING CORPORATION
C-13, SHEETAL NAGAR,
NEAR JANGLESHWAR MANDIR,
KHAIRANI ROAD, ASALPHA,
MUMBAI - 400 072, MAHARASHTRA.



Email

saengineeringcorp@gmail.com

Contact

+91-95820 67837

Sales & Service Centres: Bangalore, Hyderabad, Chennai, Pune, Coimbatore, Tirupur, Guwahati, Ghaziabad, Kolkata, Delhi

Visit us at www.saengicorp.com